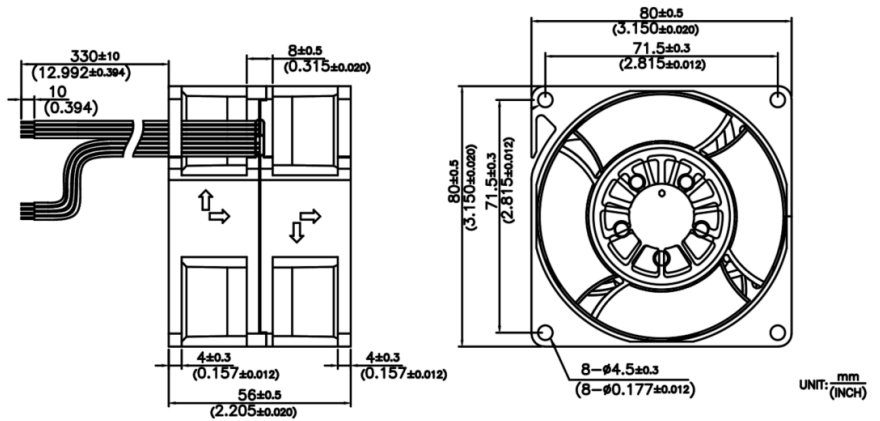
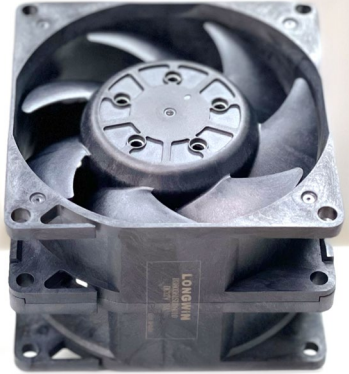
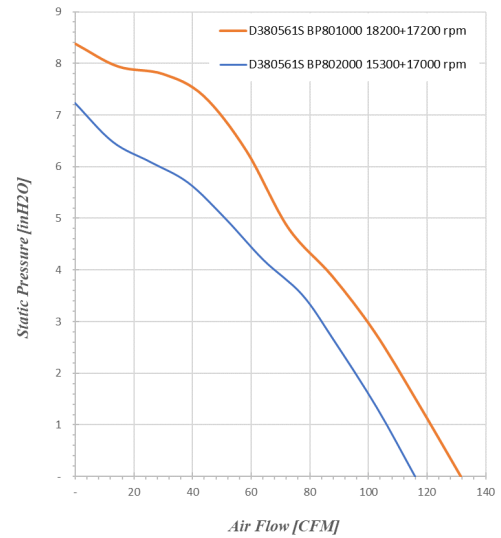


## iCloud Fan 80\*80\*56 MM

### DIMENSION DRAWING



- Housing : Plastic (UL 94V-0)
- Impeller : Plastic (UL 94V-0)
- Bearing : Ball bearing
- Lead Wires : UL10368 AWG22 OR Equivalent
- Mass : 315g



Product Type	Model No.		Control Type	Bearing Type	Rated Voltage	Operating Voltage Range	Input Current	Input Power	Inlet fan Speed	Outlet fan Speed	Maximum Air Flow		Maximum Air Pressure			Noise
					VDC	VDC	A	W	R.P.M	R.P.M	CFM	m <sup>3</sup> /min	inH2O	mmH2O	Pa	
8056 12V Series	D380561S	BP801000	+/-FG/PWM	Ball	12	10.8~13.2	5.7	68.5	18200	17200	132	3.72	8.38	212.9	2087	84.1
	D380561S	BP802000	+/-FG/PWM	Ball	12	10.8~13.2	4.1	49.0	15300	17000	116	3.28	7.23	183.8	1801	83.1
8056 48V Series	D380564S	BP801000	+/-FG/PWM	Ball	48	36~57	1.5	70.5	18200	17200	132	3.72	8.38	212.9	2087	84.1
	D380564S	BP802000	+/-FG/PWM	Ball	48	36~57	1.1	50.5	15300	17000	116	3.28	7.23	183.8	1801	83.1